

MOD. STB D06

INTERNAL MIXING

Esempi Pressioni di utilizzo:

Working Pressures examples:

Liq. 4 bar - Air 5 bar

Liq. 5 bar - Air 6 bar

Liq. 6 bar - Air 7 bar

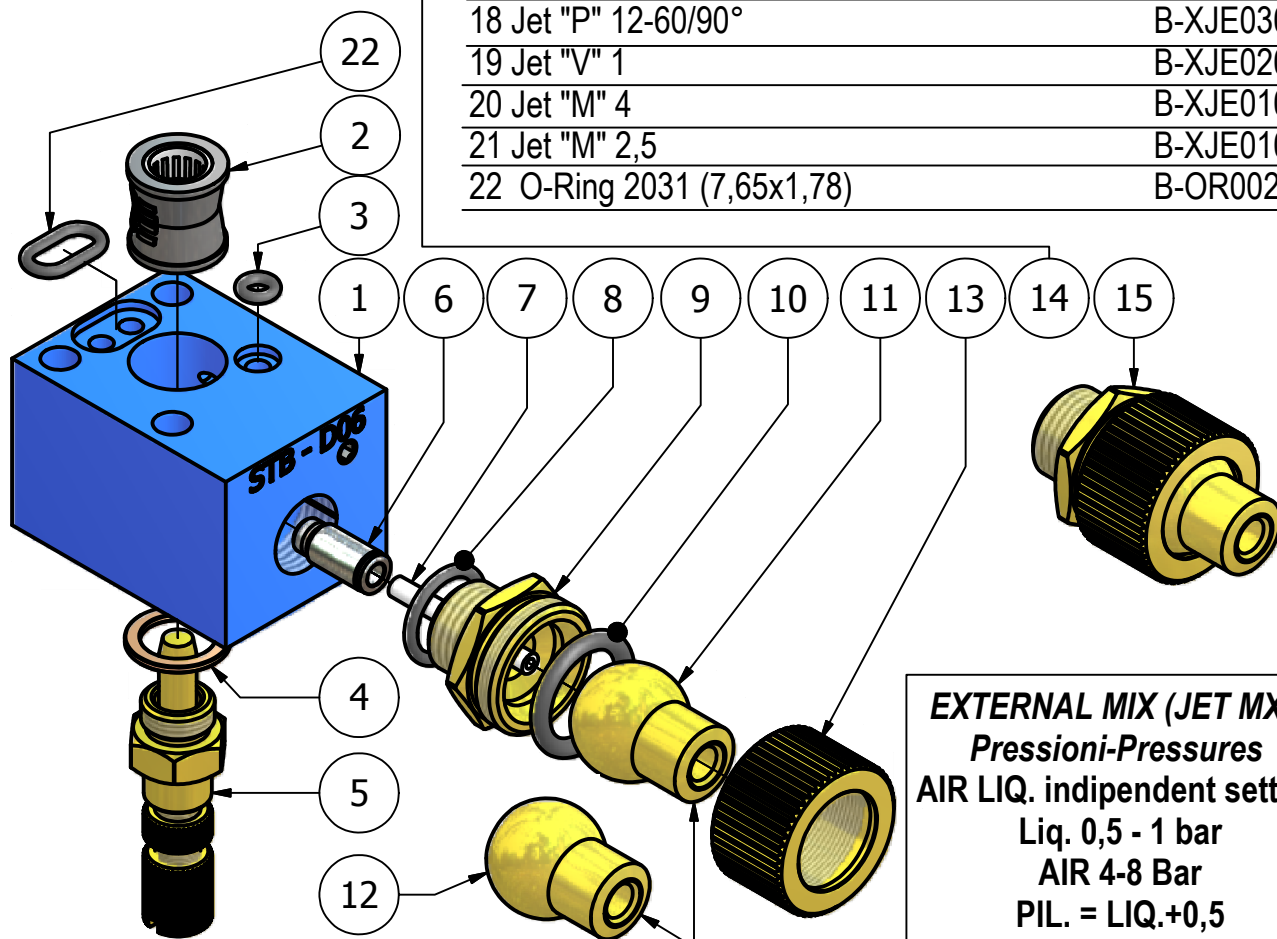
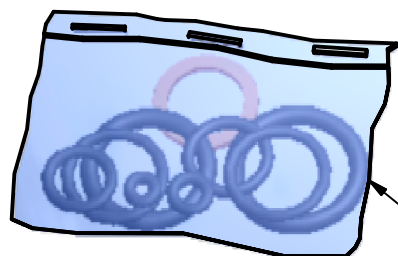
Liq. 7 bar - Air 8 bar

PIL. = LIQ.+0,5

DESCRIZIONE-DESCRIPTION

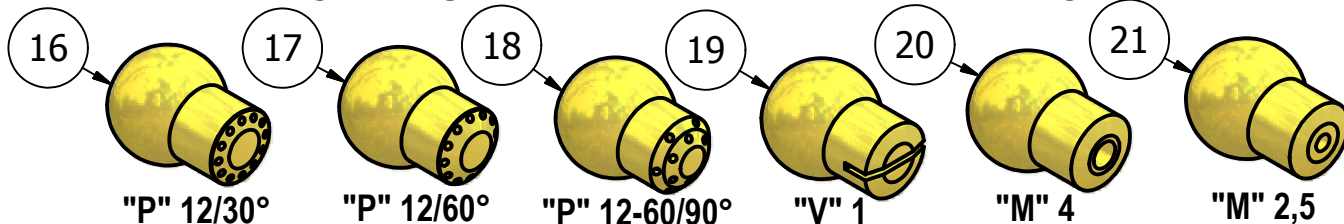
COD.

1 Corpo - Body	B-SA4100
2 Valvola a Membrana-Membrane Valve D06	B-VAL0010
3 O-Ring 3,68x1,78 (2015)	B-OR0013
4 Rondella rame - Copper washer (14x10x1)	B-RON0004
5 Vite reg. liquido - Liq.setting screw	B-XVR0003
6 Camozzi 6512 3-M5	B-RAC0024
7 Rilsan Ø 3	B-TUB0014
8 O-Ring 11,11x1,78 (114)	B-OR0017
9 porta Jet 1/4 (Nipple) - Nozzle soached 1/4	B-XPJ0002
10 O-Ring 13,1x2,62 (117)	B-OR0002
11 Jet MX3 - 1,5 External Mixing (Standard)	B-XJE0401
12 Jet MX3 - 0,8 External Mixing (On request)	B-XJE0403
13 Ghiera porta Jet - Jet cap nut	B-GHI0002
14 Kit O-Rings (3+4+8+10+22)	B-XKI0026
15 Testina completa-Complete head	B-XTC.....
16 Jet "P" 12/30°	B-XJE0301
17 Jet "P" 12/60°	B-XJE0302
18 Jet "P" 12-60/90°	B-XJE0303
19 Jet "V" 1	B-XJE0201
20 Jet "M" 4	B-XJE0103
21 Jet "M" 2,5	B-XJE0101
22 O-Ring 2031 (7,65x1,78)	B-OR0023



EXTERNAL MIX (JET MX3)
Pressioni-Pressures
 AIR LIQ. indipendent setting
 Liq. 0,5 - 1 bar
 AIR 4-8 Bar
 PIL. = LIQ.+0,5

J E T S I N T E R N A L M I X I G



COD. : B-XJE0301 B-XJE0302 B-XJE0303 B-XJE0201 B-XJE0103 B-XJE0101