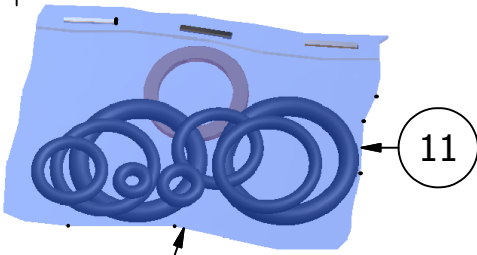
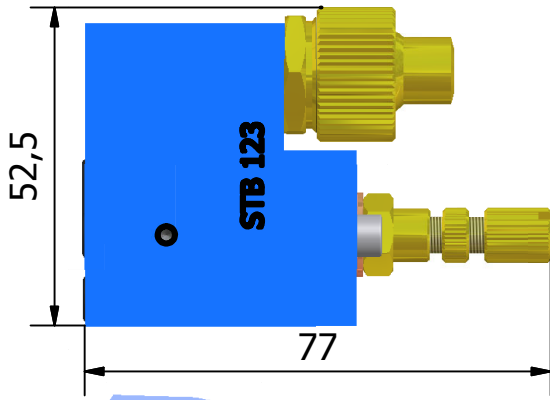


MOD. STB 123

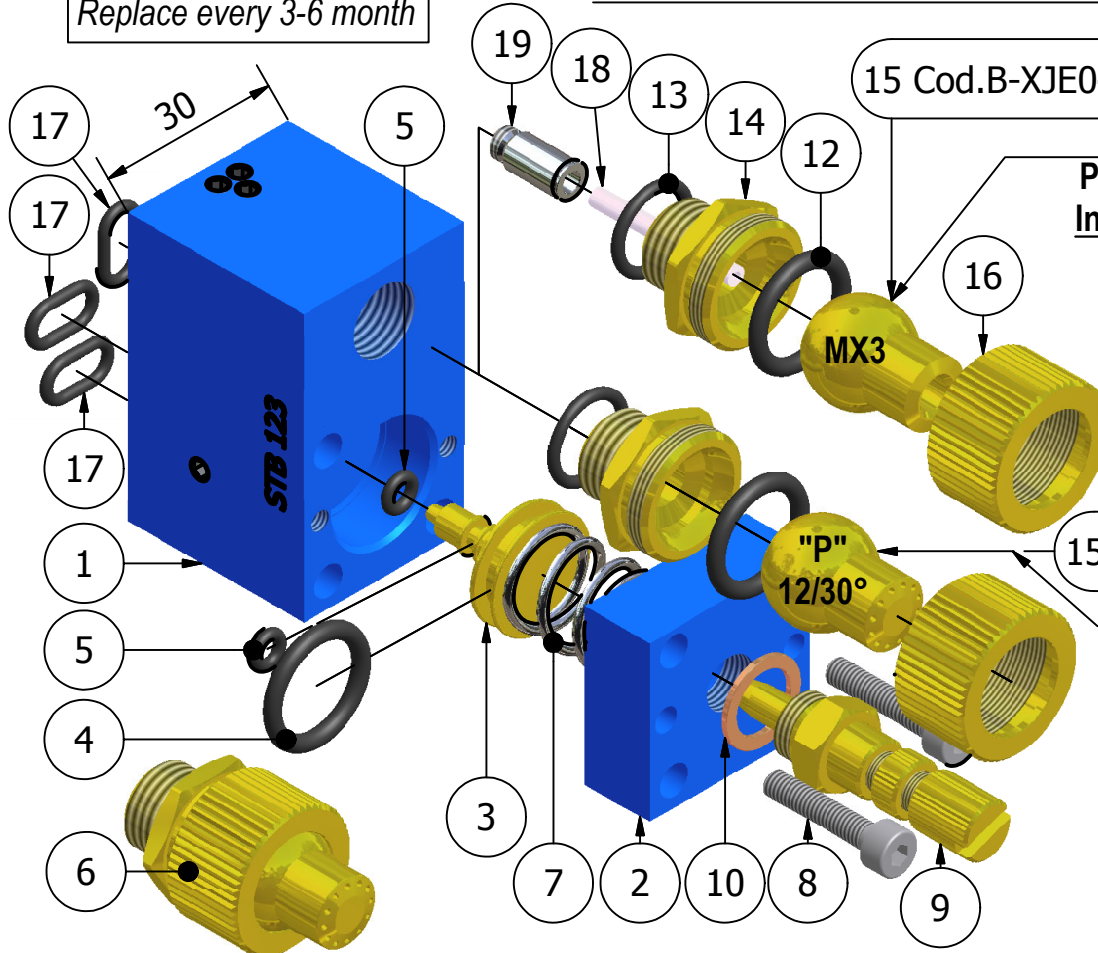


Sostituire ogni 3-6 mesi
Replace every 3-6 month

DESCRIZIONE DESCRIPTION

COD.

1 Corpo - Body	B-SA2800-GR
2 Fondello - End cap	B-XFS0010
3 Pistone - Piston (4-5-inclusi-enclued)	B-XPI0002
4 O-Ring 13,95x2,62 (3056)	B-OR0009
5 O-Ring 2,9x1,78 (2012) - (x2)	B-OR0008
6 Testina C.-Complete H.(12+13+14+15+16)	B-XTC0.....
7 Molla - Spring (Ø 16x15)	B-MOL0003
8 Vite fondello - End cap screw (M4x16) (x2)	B-VIT0029
9 Vite reg. liquido - Liqid setting screw	B-XVR0003
10 Rondella rame - Copper washer (14x10x1)	B-RON0004
11 Kit O-Rings	B-XKI0004
12 O-Ring 13,1x2,62 (117)	B-OR0002
13 O-Ring 11,11x1,78 (114)	B-OR0017
14 Porta Jet (Nipplo) - Nozzle soached	B-XPJ0002
15 Jet (P - MX - M - V - Snorky)	B-XJE0.....
16 Ghiera porta Jet - Jet cap nut	B-GHI0002
17 O-Ring 7,65x1,78 (2031) (x3)	B-OR0023
18 Rilsan Ø 3	B-TUB0014
19 Camozzi 6512 3-M5	B-RAC0024



EXT. MIX

**Pressioni-Pressures
Independent AIR-LIQ.
pressure settings**
Liq. 0,5-1 bar
Air 4-8 bar
Pil. 4-8 bar

15 - Cod. B-XJE0301

INTERN. MIX

**PRESSIONI
PRESSURES**
Liq. 4 bar - Air 5 bar
Liq. 5 bar - Air 6 bar
Liq. 6 bar - Air 7 bar
Liq. 7 bar - Air 8 bar
Pil. 4-8 bar

COD. B-XJE0303 B-XJE0302 B-XJE0703 B-XJE0201 B-XJE0103 B-XJE0101



"P" 12-60/90°



"P" 12-60°



SNORKY



"V" 1



"M" 4



"M" 2,5