

# MOD. STB Z

(EXTERNAL MIXING)

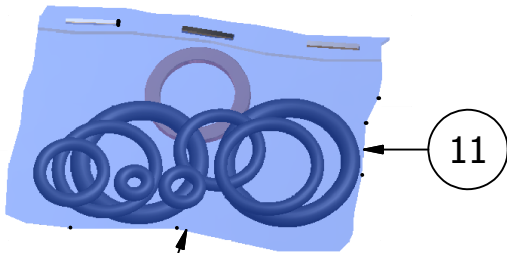
**Air Liq. independent setting**

**PRESSIONI D'ESERCIZIO  
WORKING PRESSURES**

Liq. 0,5 - 1 bar

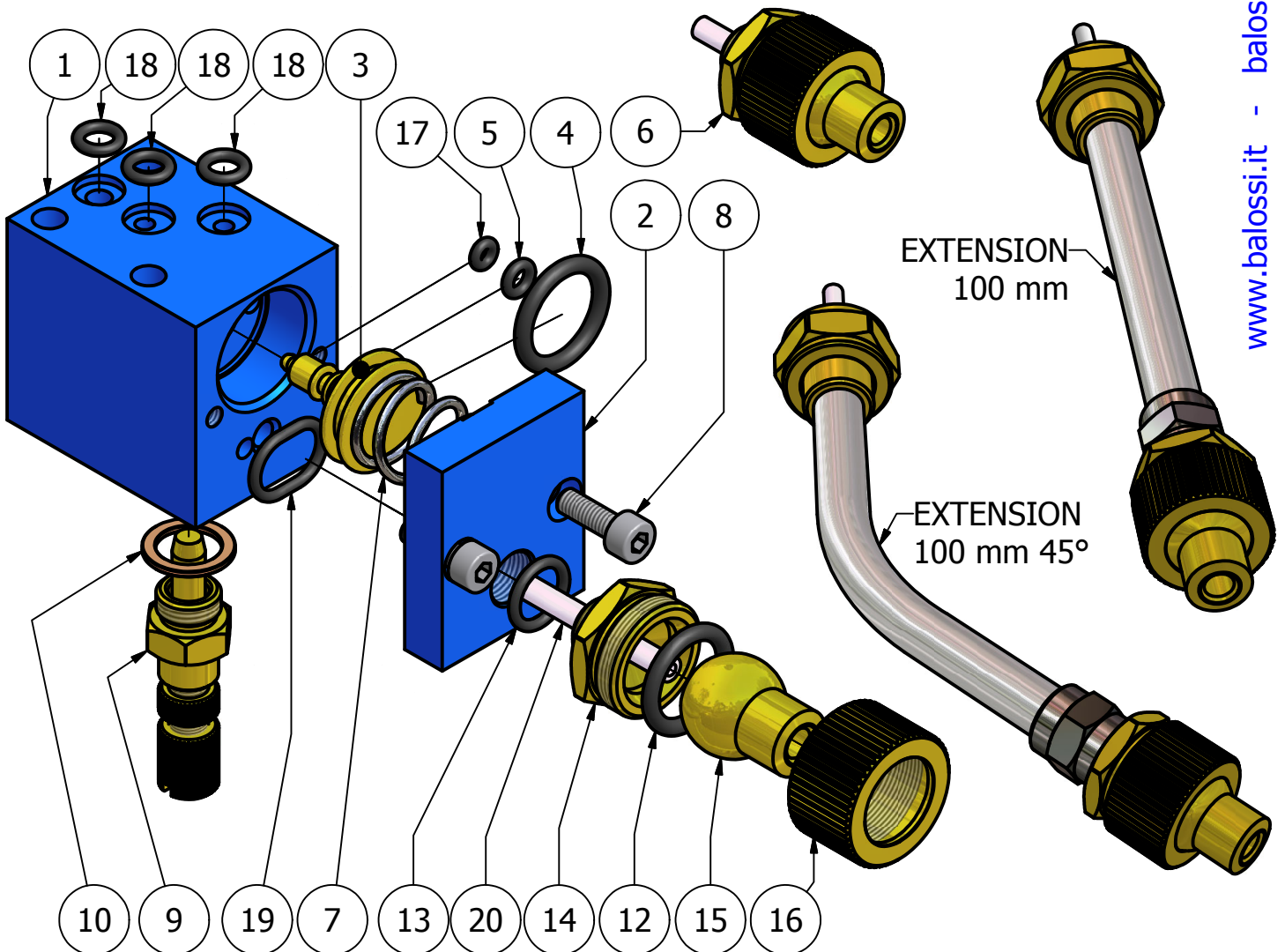
Air 4-8 bar

Pil. 4-8 bar



**Sostituire ogni 3-6 mesi  
Replace every 3-6 month**

DESCRIZIONE DESCRIPTION	COD.
1 Corpo - Body	B-SA1700-GR
2 Fondello - End cap	B-XFS0025
3 Pistone - Piston (4-5-inclusi-enclued)	B-XPI0001
4 O-Ring 13,95x2,62 (3056)	B-OR0009
5 O-Ring 2,9x1,78 (2012)	B-OR0008
6 Testina C.-Complete H.(12+13+14+15+16)	B-XTC0.....
7 Molla - Spring	B-MOL0003
8 Vite fondello - End cap screw (M4x12) (x2)	B-VIT0004
9 Vite reg. liquido - Liquid setting screw	B-XVR0003
10 Rondella rame - Copper washer (14x10x1)	B-RON0004
11 Kit O-Rings (4+5+10+12+13+17+18+19)	B-XKI0003
12 O-Ring 13,1x2,62 (117)	B-OR0002
13 O-Ring 8,73x1,78 (108)	B-OR0003
14 Porta Jet (Nipplo) - Nozzle soached	B-XPJ0003
15 Jet MX 4 ( <b>EXTERNAL MIXING</b> )	B-XJE0.....
16 Ghiera porta Jet - Jet cap nut	B-GHI0002
17 O-Ring 1,78x1,78 ( <b>2007 90 SHORE A</b> )	B-OR0001
18 O-Ring 4,47x1,78 (2018) (x3)	B-OR0004
19 O-Ring 10,82x1,78 (2043)	B-OR0011
20 Rilsan Ø 4	B-TUB0013



www.balossi.it - balossisl@numerca.it